

PIN BUS BAR SHOCKHAZARD SAFETY, 16QMM 4 PHASE, L= 1016MM CAN BE CUT, WITHOUT END CAPS

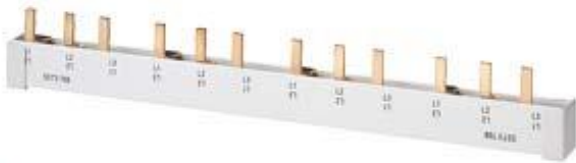


Figure similar

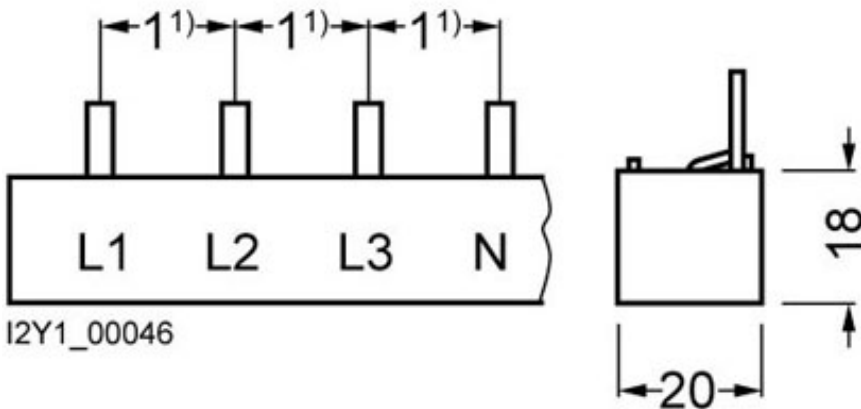
Model	
Product brand name	SETRON
Product designation	Pin busbar
Design of the product	16mm <sup>2</sup> 4PH L1016mm
Busbar design	laminated
General technical data	
Surface processing / tin-plated	No
Main circuit	
Operating current / rated value	80 A
Product details	
Product feature / flexible	Yes
Mechanical Design	
Width	21.4 mm
Length	1 016 mm
Thickness / of busbar	17.3 mm
Net weight	813.44 g

## Declaration of Conformity



EG-Konf.

## Further information

**Information- and Downloadcenter (Catalogs, Brochures,...)**<http://www.siemens.com/lowvoltage/catalogs>**Industry Mall (Online ordering system)**<https://mall.industry.siemens.com/mall/en/en/Catalog/product?mlfb=5ST3716>**Service&Support (Manuals, Certificates, Characteristics, FAQs,...)**<https://support.industry.siemens.com/cs/ww/en/ps/5ST3716>**Image database (product images, 2D dimension drawings, 3D models, device circuit diagrams, ...)**[http://www.automation.siemens.com/bilddb/cax\\_en.aspx?mlfb=5ST3716](http://www.automation.siemens.com/bilddb/cax_en.aspx?mlfb=5ST3716)**CAX-Online-Generator**<http://www.siemens.com/cax>**Tender specifications**<http://www.siemens.com/specifications>

1) Pin spacings in MW (Modular widths, 1 MW = 18 mm).